

OPERATING INSTRUCTIONS

Single Speed Winches

To pull line off: Extreme caution must be exercised. Be certain that all persons and objects are clear of the area to insure that they will not be struck and injured by a spinning winch handle as you pull line off the winch. First, place the ratchet pawl in the disengaged position (see Fig. 1). Then, slowly pull line out.

To pull line/load in: BE SURE TO ALWAYS ENGAGE THE RATCHET PAWL IN THE HOLD POSITION (see Fig. 1). On the T1100, T1300, T1500 this is done by aligning the engage arrow on the ratchet lever with the alignment marks on the frame. Before moving a load, make sure that the ratchet pawl is fully engaged. Turn the handle in the appropriate direction. When turning the handle you should always hear a clicking sound indicating the ratchet pawl is working properly. IF THE CLICKING SOUND STOPS, DO NOT LET GO OF THE HANDLE BECAUSE THE HANDLE CAN SPIN DANGEROUSLY. Secure the load before letting go of the handle.

To let line/load out: Take a firm grip of the handle. Then push the ratchet pawl to the disengaged position (see Fig. 1). You may have to turn the handle slightly (pull line in) to disengage the ratchet pawl. Keep a firm grip on the handle and turn slowly. Never let go of the handle when letting out a load unless ratchet pawl is engaged in the load holding position. If you need to stop, always engage the ratchet pawl first, then let go of the handle gradually to make sure the ratchet pawl is holding the load (see Fig. 1). A clicking ratchet pawl when letting line/load out will not support the load.

Two Speed Winches

Fulton two speed winches, model numbers T2005 - T3205 change gear ratios by sliding the gear input shaft. The T3700 winch changes gear ratios by changing the handle to a different input shaft. When changing gears on the T2005 - T3205, make sure that the ratchet pawl is fully engaged and holding the load (see Fig. 1). After the input shaft has been shifted to obtain the desired gear ratio, make sure the shift lock lever is firmly in place in the groove on the input shaft before operating the winch.

To pull line off: For model numbers T2005 - T3205, shift input shaft to neutral position and engage shift lock lever when pulling line off drum. Place the ratchet pawl in the neutral position to pull line off the winch. Slowly pull line out. For T3700, push in the handle lock clip and slide the handle until lock clip engages into the outer groove in the pinion shaft. Check position by turning handle to make sure the shaft does not turn with the handle.

To pull line/load in: Follow the instructions for single speed winches. Note on the T3700, re-engage the handle so that the lock clip engages into the inner groove of the pinion shaft.

Hand Brake Operation

Optional hand brake may be purchased separately and can be installed after the winch is mounted. The hand brake is standard on T2605B and T3700 models.

For two speed winches equipped with the hand brake, when letting out a load, push down on the hand brake lever to help control the load. NEVER let go of the winch handle. IN AN EMERGENCY, if the handle does spin, STAND CLEAR. NEVER try to grab the handle.

LIMITED THREE YEAR WARRANTY

Warranty. Fulton Performance Products, Inc. ("We") warrants to the original consumer purchaser ("You") that the product will be free from defects in material and workmanship for a period of three years under normal use and service, ordinary wear and tear excepted. If the product does not comply with this warranty, we will replace the product without charge to You and within a reasonable time or, at Fulton's option, refund the purchase price. This warranty is not transferable.

Limitations on the Warranty. The warranty does not cover the following: (a) normal wear and tear; (b) damage through abuse, neglect, misuse, or as a result of any accident or in any other manner; (c) damage from misapplication, overloading, or improper installation; (d) improper maintenance; (e) a product altered in any manner by anyone other than us.

Obligations of Purchaser. To make a claim, contact us at 50 Indianhead Drive, Mosinee, WI (715) 693-1700, identify the product, and follow the instructions that will be provided. Any returned product that is replaced or refunded becomes the property of Fulton. You will be responsible for shipping costs to us. Please retain your purchase receipt to verify date of purchase. This must be produced to honor warranty claim.

Remedy Limits. Repair or replacement is the purchaser's sole remedy under this or any other warranty on the product, whether express or implied. We shall not be liable for service or labor charges incurred in removing or replacing a product or any incidental or consequential damages of any kind. We expressly disclaim any implied warranty of merchantability or fitness for particular purpose after the three-year warranty period. Some states do not allow the exclusion of incidental or consequential damages or limitation of an implied warranty so the above exclusion and limitation may not apply to you.

Legal Rights. This warranty gives you specific legal rights, and You also may have other rights which vary from state to state. **ANY IMPLIED WARRANTY OF MERCHANTABILITY OR FITNESS FOR A PARTICULAR PURPOSE ON ANY PRODUCT SHALL BE LIMITED TO THREE YEARS FROM THE DATE OF RETAIL PURCHASE BY YOU.** Some states do not allow limitations on how long an implied warranty lasts, so the above limitation may not apply to You.

This warranty is governed by the laws of the United States of America and is void where prohibited.
50 Indianhead Dr., P.O. Box 8 Mosinee, WI 54455-0008
715/693-1700 Fax 715/693-1799
www.fultonperformance.com
fulton@fultonperformance.com

FULTON
Performance Products, Inc.

F2385

F2385 (M-7796) 1/02

FULTON

Performance Products, Inc.
Trailer Winches Owner's Manual

WARNING

Read, understand and follow all instructions before installing and/or using product. NEVER allow anyone unfamiliar with the operating instructions to use this product.

Read, understand and follow all instructions provided by the manufacturer of the product(s) that this winch will be installed on. Installation of this Fulton winch must conform to the following mounting instructions only. Fulton cannot be held liable for improper installation, use, or maintenance of this product.

Always inspect the strap, rope, or steel cable and hook before each use. NEVER use strap, rope, or steel cable that is worn, frayed, or kinked.

Be sure that the steel cable, rope or strap are strong enough to move the load.

Do not stand near the winch strap, rope, or steel cable, because it can whip violently if it should break.

NEVER let the steel cable, rope or strap all the way out. Always keep a minimum of three complete wraps of the steel cable, rope or strap around the drum hub. The cable keeper, rope threading, or strap attachment alone will not support the load.

Do not use the winch to secure boats, personal, water craft or any load to trailers. Tie downs must be used for securing loads to trailers. Excessive force in turning the handle of the winch may indicate winch overload. Fulton winches generally require 25-45 lbs. of handle force to pull their rated load.

IN NO CASE WILL THE RATCHET PAWL HOLD THE LOAD WHEN THE LOAD IS BEING LET OUT.

NEVER let go of the handle until you are sure the ratchet pawl is engaged and supporting the load (See Fig. 1). A clicking ratchet pawl when letting out the load will not support the load. If the ratchet pawl is not engaged the handle can spin dangerously and could result in death or serious bodily injury.

This winch is NOT to be used as a human or equipment hoist.

NEVER allow anyone to be positioned on, in, behind or under the load being moved.

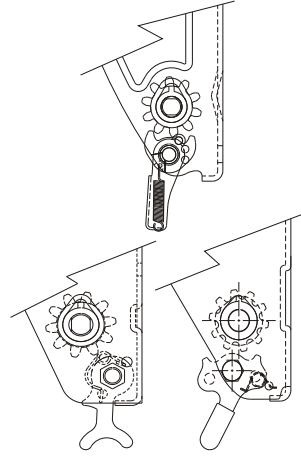
NEVER exceed the maximum rated capacity.

On two speed winches make sure that the ratchet pawl is properly engaged and holding the load before attempting to change gears. (See Fig. 1).

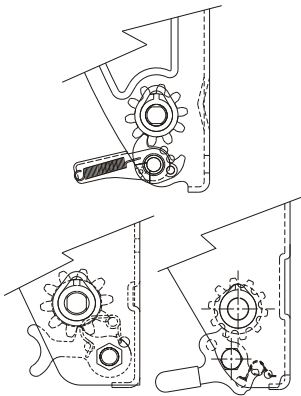
D. NEVER operate the winch with wet or oily hands and always maintain a firm grip on the winch handle.

Failure to follow these warnings, and instructions may result in serious bodily injury and/or property damage.

Fig. 1 Ratch Pawls Disengaged



Ratchet Pawls Engaged



WINCH APPLICATIONS

All Fulton Trailer Winches meet or exceed SAE Standard J1853.

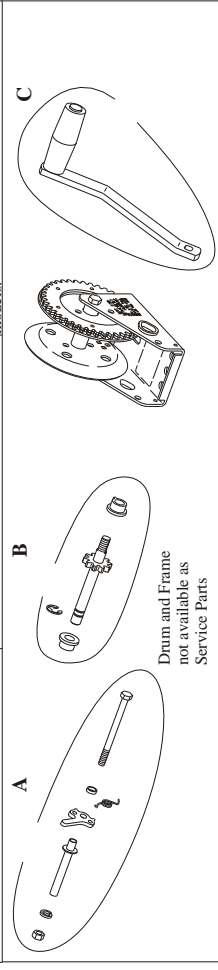
Fulton trailer winches are for use on boat and personal water craft trailers. For boat and water craft loading:

There are many factors to consider in selecting the proper size winch which are beyond the control of the winch manufacturer. For additional information on winch applications call 1-800-604-9466.

The breaking strength of the strap, rope, or cable should be at least 1 1/2 times the winch rating. Breaking strength of the hook should be 1 1/2 times the breaking strength of the strap or rope and 1/4 times the breaking strength of the steel cable.

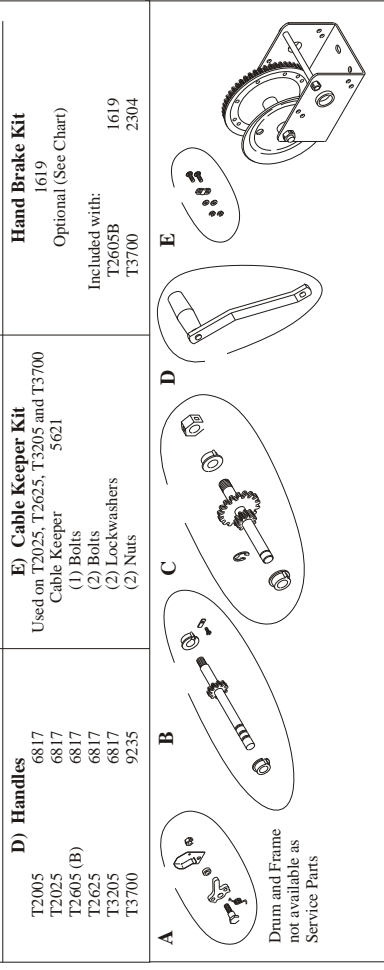
Single Speed Winches (T600, T900, T1100, P1200, T1300, T1500, T1602, and T1801)

Model	A) Ratchet Pawl Kits	B) Pinion Shaft Kits	C) Handles
T600	1514S01	T600 4254S01	T600 5868
T900	1514S01	T900 4254S01	T900 6312
T1100	0133306S01	T1100 0133307S01	T1100 6312
T1300	0133306S01	T1300 0133307S01	T1300, T1500 6302
P1200	1514S01	T1500 0133307S01	T1602 6822
T1500	0133306S01	T1602 0133303S01	T1801 6817
T1602	1598S01	T1801 0133303S01	P1200 6302
T1801	1598S01	P1200 4254S01	



Two Speed Winches (T2005, T2025, T2605 (B), T2625, T3205, T3700)

Model	A) Ratchet Pawl Kits	B) Input Shaft Kits	C) Intermediate Shaft Kits	D) Handles	E) Cable Keeper Kit
T2005	1562S00	T2005 1609S01	T2005 1613S01	T2005 6817	Used on T2025, T2625, T3205 and T3700 Cable Keeper 5621
T2025	1562S00	T2025 1609S01	T2025 1613S01	T2025 6817	Optional (See Chart)
T2605 (B)	1562S00	T2605 (B) 1609S01	T2605 (B) 1613S01	T2605 (B) 6817	Included with: T2605B 1619
T2625	1562S00	T2625 1609S01	T2625 1613S01	T2625 6817	T3700 2304
T3205	1562S00	T3205 1609S01	T3205 1613S01	T3205 9235	
T3700	4197S00	T3700 1550S01	T3700 1549S01		



MAINTENANCE

The gears should have a film of grease on them at all times. Maintain a film of grease on outside diameter of drum spacer or drum support bolt for extended service life. Maintain a few drops of automotive engine oil on ratchet pawl mechanism and bushings for extended service life. The ratchet pawl mechanism must be clean and free of dirt, paint, ice, etc., as these conditions will prevent the ratchet pawl from operating properly. Use only Fulton Performance Products' parts or parts of equal quality for repair. Call (715) 693-1700 to obtain Fulton Performance Products parts.

FULTON MODEL NUMBER	CAPACITY RATING (#1) LBS. (KG.)	GEAR RATIO	MAXIMUM MECHANICAL ADVANTAGE (#2)	HANDLE LENGTH	RATCHET PAWL	DRUM STORAGE	HUB SIZE	STRAP-MOUNTING BOLT SIZES (BOLTS NOT INCLUDED)	HAND BRAKE
T600	600 (270)	3:1	34:1	6"	"Grabber" One Way	36" x 1/4" Rope	5.8"	1/4" x 2-1/2" Gr. 5	No
T900	900 (410)	3:1	39:1	7"	"Grabber" One Way	36" x 1/4" Rope	5.8"	1/4" x 2-1/2" Gr. 5	No
T1100	1100 (500)	4:1	43:1	7"	Two Way	30" x 5/16" Rope	3.4"	1/4" x 2-1/2" Gr. 5	No
T1300	1300 (590)	4:1	49:1	8"	Two Way	30" x 5/16" Rope	3.4"	1/4" x 2-1/2" Gr. 5	No
P1200	1200 (550)	4:1	37:1	8"	"Grabber" One Way	80" x 3/16" Steel Cable (#3)	2"	N/A	No
T1500	1500 (680)	4:1	49:1	8"	Two Way	20" x 5/16" Rope	3.4"	1/4" x 2-1/2" Gr. 5	No
T1602	1600 (700)	5:1	56:1	9"	Two Way	20" x 7/16" Rope	7.8"	3/8" x 2-3/4" Gr. 5	No
T1801	1800 (800)	5:1	62:1	10"	Two Way	20" x 7/16" Rope	7.8"	3/8" x 2-3/4" Gr. 5	No
T2005	2000 (900)	4:1 & 9:1	87:1	10"	W/Neutral	20" x 7/16" Rope	1"	3/8" x 3-1/2" Gr. 5	Optional
T2025	2000 (900)	4:1 & 9:1	64:1	10"	W/Neutral	20" x 7/16" Rope	1-3/4"	N/A	No
T2605	2600 (1180)	5:1 & 12:1	108:1	10"	W/Neutral	24" x 7/16" Rope	1"	3/8" x 3-1/2" Gr. 5	Optional
T2605B	2600 (1180)	5:1 & 12:1	108:1	10"	W/Neutral	24" x 7/16" Rope	1"	3/8" x 3-1/2" Gr. 5	Yes, Installed
T2625	2600 (1180)	5:1 & 12:1	79:1	10"	W/Neutral	175" x 7/32" Steel Cable (#3)	1-3/4"	N/A	Optional
T3205	3200 (1450)	5:1 & 12:1	79:1	10"	W/Neutral	175" x 7/32" Steel Cable (#3)	1-3/4"	N/A	Optional
T3700	3700 (1700)	5:1 & 15.8:1	102:1	10"	Two Way	185" x 7/32" Steel Cable (#3)	1-3/4"	N/A	Yes, Included

#1 - Capacity Rating - Based on direct line pull on first layer of line on the drum. Capacity is reduced as line builds up on the drum.
 #2 - Maximum Mechanical Advantage - Based on first layer of recommended line on the drum. For maximum efficiency use only the amount of line required.
 #3 - Only winches that are designed to accommodate steel cable should use steel cable. Cable keeper kits are included with the winches specifying steel cable. Product design and specifications are subject to change without notice.

INSTALLATION INSTRUCTIONS

The winch stand must be of adequate strength, and equal size to the base of the winch frame. Place flat washers under the heads of three 3/8" diameter hardened bolts, grade 5 or better. Place the bolts with washers into the slots of the base (those nearest the outside of the frame). Put a lock washer onto each bolt. Turn nuts onto bolts until snug against the frame. Install steel cable, strap or rope onto the drum in such a way that the ratchet pawl is operating (clicking) as the line is being wound onto the winch.

Only winches that are designed to accommodate steel cable should be used with steel cable (see chart).

STRAP

Fulton winches have holes in the drums for a strap cross bolt when using strapping (See Fig. 2). A hardened bolt, grade 5 or better, is recommended for strap mounting. Tighten the locknut just to where end play in bolt is taken up. Over-tightening can deform drum. For winches having a strap anchor included, pass the strap loop under cross bolt, insert strap anchor in the strap loop, then pull tight (See Fig. 3).

ROPE

Attaching rope to the winch drum requires no bolts, nuts, or rope keeper. Two ways of threading the rope through the drum side are shown (See Fig. 4). Maintain at least three complete wraps of rope around drum hub at all times.

STEEL CABLE

Pass steel cable through the hole in the drum side going from inside to outside. Wrap steel cable around the drum hub one turn. Continue inserting steel cable one inch past clamp location. Place keeper (clamp) washers and nuts on the outside of the drum (see Fig. 5). Maintain at least three complete wraps of the steel cable around drum hub at all times.

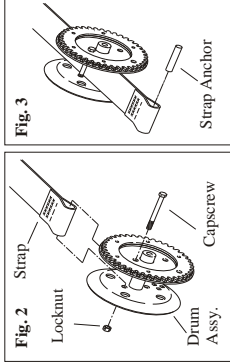


Fig. 2

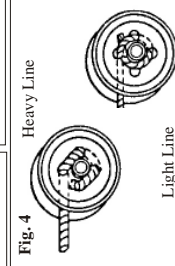


Fig. 4

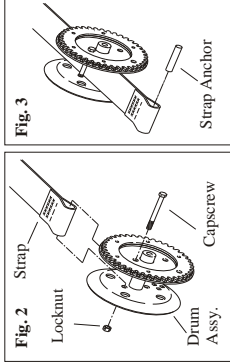


Fig. 3

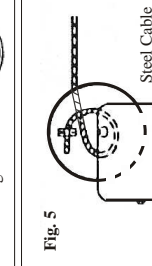


Fig. 5