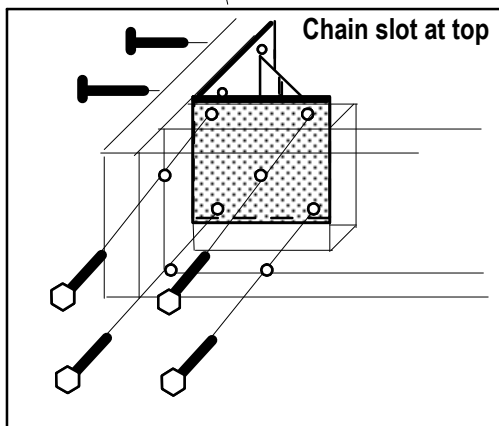
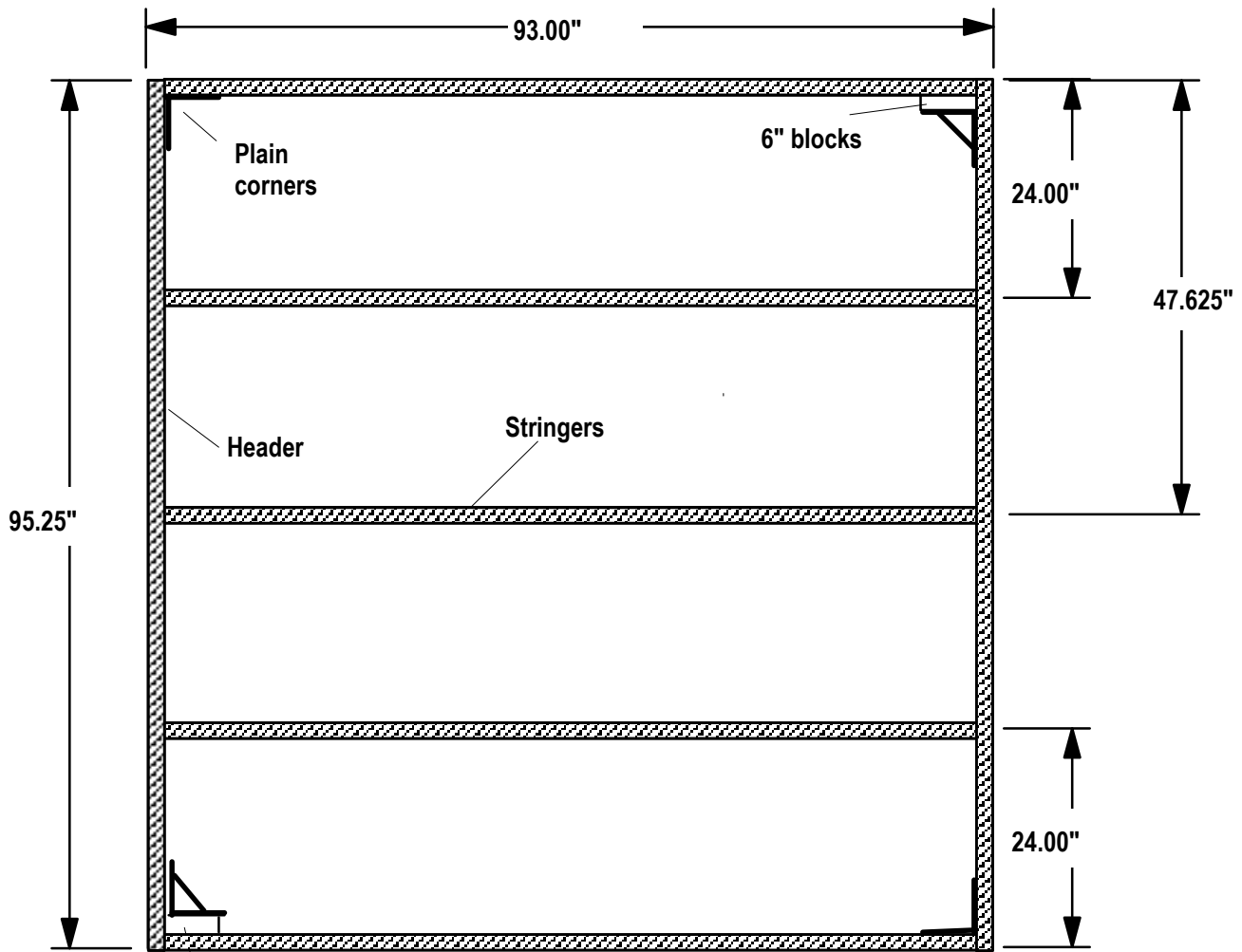


8' x 8" SWIMRAFT KIT

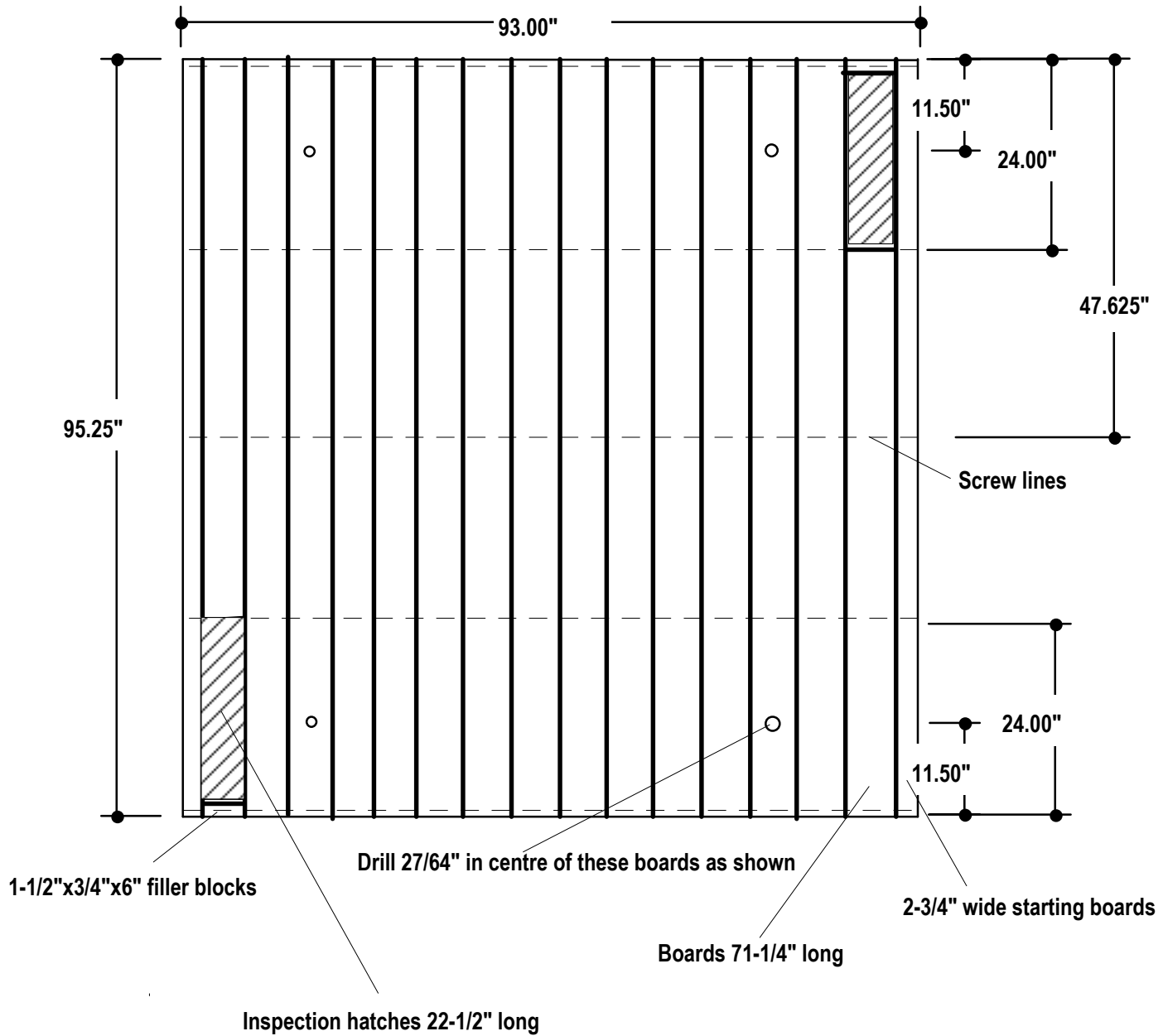
<u>Part</u>	<u>Size</u>	<u>Amount</u>
Headers	2x6x95-1/4" long	2
Stringers	2x6x90" long	5
6" blocks	2x6x6" long	2
Decking	5/4x6x95-1/4" long	15
Inspection hatch	5/4x6x22-1/2" long	2
Filler blocks	1-1/2x5/4x6" long	2
Decking	5/4x6x71-1/4 long	2
Decking	5/4x2-3/4x95-1/4" long	2
<u>Skids (angle cut on end)</u>	<u>2x6x89-1/2" long</u>	<u>2</u>
5" plain corners		2
Chain slot 5" corners		2
Hex head bolts	3/8x4" long	8
Hex head bolts	3/8x2-1/2" long	24
Fender washers	3/8"	36
Fender washers	1/2"	4
Nuts	3/8"	36
Carriage bolts	3/8x12" long	4
Floatation billets	425 lbs. capacity	2
Screws	2-1/2" no. 8 robertson	200

8'x8' RAFT PLANS Step #1



Using two screws per board assemble frame work in square.
Attach 6" blocks in diagonal corners.
Take $27/64$ " drill and attach hardware flush with top edge of frame, using 4" & 2-1/2" bolts, washers, & nuts.
Note that washers are for wood surface only. You are now ready to proceed to step #2

8'x8' RAFT PLANS Step #2



Start decking from each end using the boards shown.

Keep the boards flush with the outside edges.

Following screw lines shown use 2 screws per board and attach to frame.

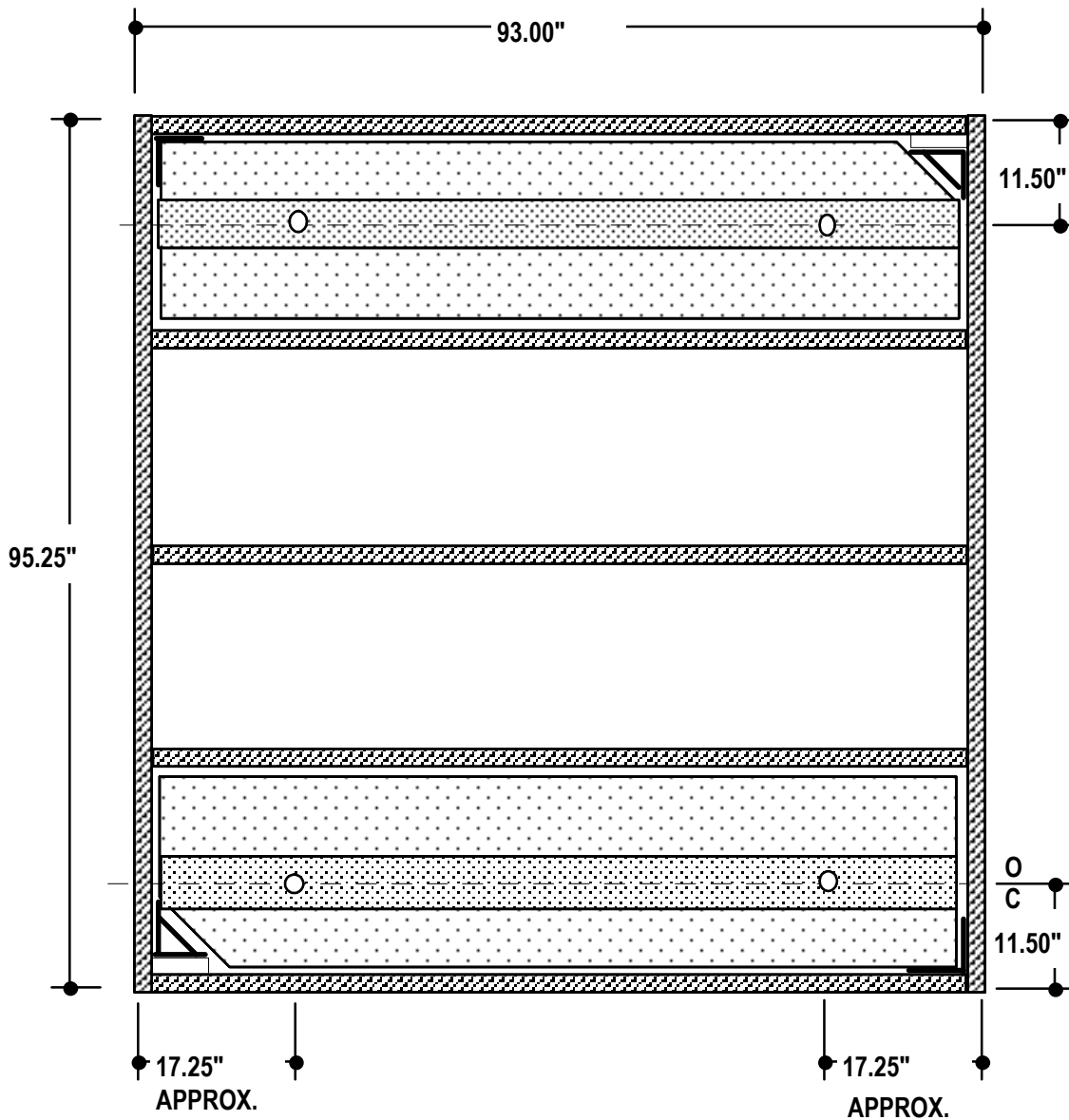
Boards are spaced approx. 1/4" apart.

Drill 27/64" holes in the boards as shown, this is where the bolts to fasten floatation will be located.

Now the decked raft will have to be flipped over and placed up off the ground to install floatation.

See step #3

8'x8'RAFT PLANS Step #3



After you have rolled over raft cut floatation with hand saw to fit.
Keep floatation pressed to outsides of raft frame.
Lay 2x6 skids down the middle, on top of floatation as shown.
Using the 12" long carriage bolt and the 1/2" fender washer.
Force this bolt from below the raft through the hole in the decking.
It will pass through the floatation with little force until it marks the under side of the skid.
Flip skids over and drill four 27/64" holes.
Flip skids back over to original position and counter sink the new holes about 1/2" with a 1-1/2" spade bit.
Finish pushing the bolts through and secure with a 3/8" fender washer & nut.
There will be excess bolt sticking past the nut, this can be easily snapped off using vise grips.
Your raft is now ready to flip back over and add any of the accessories you have purchased.