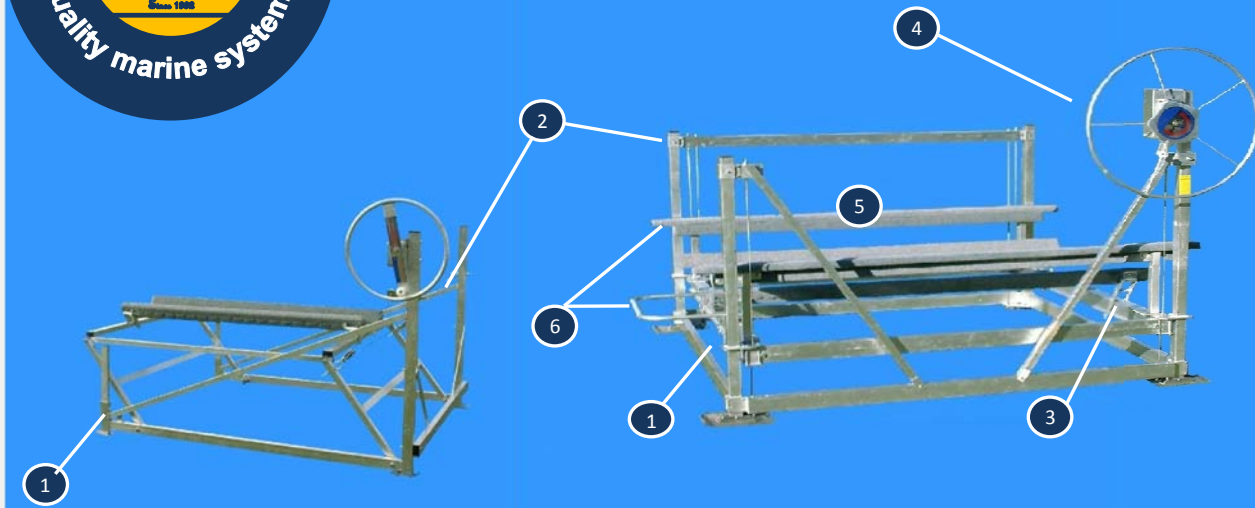




CRAFTLANDER series BOAT LIFT

“The quality shows”



& Features & Benefits

Craftlander Vertical series lifts are constructed of special T-6 6061 aluminum extrusions and load tested from 130% to 200% its rated capacity. Much of the hoists construction utilizes bolts rather than welds to eliminate weld fatigue. This construction method also makes the hoist easy to assemble and transport. The hoists vertical high lift design keeps the boat far out of waves reach. Informed consumers prefer the vertical type design opposed to scissor (cantilever) type hoists. Scissor lift hoist designs are seldom suitable for shallow water applications due to diminished lift capacity and often cannot hoist boats up to a safe height.

Craftlander Pwc series lifts are constructed the same as the vertical series and are available in 3 models, two economical scissor type and a high lift vertical.

- 1) All hoists have fully adjustable legs with pivoting base pads for level installation.
- 2) Stainless cables and corrosion resistant fasteners.
- 3) Durable nylon pulleys with bronze bushings.
- 4) Unlike other hoists the Craftlander patented chain and gear driven winch system is made for boat hoists, it is not a simple boat trailer winch. They are sized and geared accordingly to the lifts weight capacity and still easy to turn on all hoist sizes. The winch wheel is larger than most, a full 48" in diameter. Unlike other lower cost winch systems, Craftlander incorporates a winch cable guide to evenly distribute cable across the drum which prevents cable climbing and bunching.
- 5) All hoists have standard adjustable bunks that will accept in-board ski boats.
- 6) Optional full length guide on bunks, and motor stop.
Optional solar powered 12v winch unit is available and comes with a solar panel and mounting bracket.
Optional roof systems are available in the colour grey.

MODEL	CAPACITY	INSIDE WIDTH	WEIGHT	STAINLESS CABLES	LIFT HEIGHT TRAVEL	LEG ADJUSTMENT	BOAT DEPTH CLEARANCE	CANOPY AVAILABLE
1684V	1600 LBS.	84"	315 LBS.	YES	60"	24"	6"	NO
25108V	2500 LBS.	108"	325 LBS.	YES	55"	24"	6"	NO
35108V	3500 LBS.	108"	430 LBS.	YES	64"	24"	6"	NO
45114V	4500 LBS.	114"	475 LBS.	YES	64"	24"	7"	YES
45120V	4500 LBS.	120"	475 LBS.	YES	64"	24"	7"	YES
60120V	6000 LBS.	120"	620 LBS.	YES	60"	24"	8"	YES
10PWCV	1000 LBS.	63"	200 LBS.	YES	60"	24"	5"	NO
10PWC	1000 LBS.	60"	140 LBS.	YES	30"	24"	4"	NO
10PWC72	1000 LBS.	72"	150 LBS.	YES	30"	24"	4"	NO

CRAFTLANDER series BOAT LIFT pricing

Description	Model	Capacity	Lift travel	Leg adjustment	Width	Weight	Price
MANUAL VERTICAL BOAT LIFT	1684V	1600 LBS	60"	20"	84"	315 LBS	\$3,259.00
MANUAL VERTICAL BOAT LIFT	25108V	2500 LBS	52"	20"	108"	325 LBS	\$3,799.00
MANUAL VERTICAL BOAT LIFT	35108V	3500 LBS	64"	20"	108"	430 LBS	\$4,249.00
MANUAL VERTICAL BOAT LIFT	45114V	4500 LBS	64"	20"	114"	475 LBS	\$4,679.00
MANUAL VERTICAL BOAT LIFT	45120V	4500 LBS	64"	20"	120"	475 LBS	\$4,839.00
MANUAL VERTICAL BOAT LIFT	60120V	6000 LBS	60"	20"	120"	620 LBS	\$6,949.00
MANUAL SCISSOR PWC LIFT	10PWC	1000 LBS	30"	20"	60"	140 LBS	\$1,369.00
MANUAL SCISSOR PWC LIFT	1072PWC	1000 LBS	30"	20"	72"	150 LBS	\$1,399.00
MANUAL VERTICAL PWC LIFT	10VPWC	1000 LBS	60"	20"	63"	200 LBS	\$1,949.00
VERTICAL BOAT HOIST OPTIONS							
AC or DC ELECTRIC DIRECT DRIVE WINCH, BRACKET AND REMOTE CONTROL							\$ 1,553.00
110 VOLT ELECTRIC DIRECT DRIVE WINCH WITH KEY LOCK							\$ 969.00
REPLACEMENT SOLAR PANEL AND MOUNTING BRACKET							\$ 390.00
VERTICAL HOIST CANOPY 114" X 22' GREY							\$ 2,599.00
VERTICAL HOIST CANOPY 114" X 24' GREY							\$ 2,759.00
VERTICAL HOIST CANOPY 120" X 24' GREY							\$ 2,999.00
VERTICAL HOIST CANOPY 120" X 26' GREY							\$ 3,199.00
VERTICAL GUIDE BUNKS WITH COVERS 36" HIGH EACH							\$ 115.00
FULL LENGTH CARPETED SIDE GUIDE-ON'S, HOISTS UP TO 4500 LBS CAPACITY SET							\$ 418.98
FULL LENGTH CARPETED SIDE GUIDE-ON'S, HOISTS UP TO 6000 LBS CAPACITY SET							\$ 449.77
MOTOR STOP							\$ 130.00
PONTOON BOAT BUNKS							\$ 657.00
SKI BOAT BUNKS *ORDERED WITH BOAT LIFT							N/C

Installation: additional 15%

Transportation: \$4.00 per/km. charged one way, minimum \$150.00

Effective Jan.1/09, All pricing is subject to change without notice